



EVO-1167

EVO Chromoly B-Pillar Cross Bar



Bill of Materials

Part number	EVO- Description	Quantity
EVO-12184	EVO Chromoly B-Pillar Crossbar	1

Before beginning install, remove the hard top from your vehicle

Note: If installing the rear bar of the EVO MFG Sport cage (EVO-1157), complete that installation first.

1. Use a 10mm socket to remove the 6 bolts holding the sound bar in place. Passenger bolts pictured. Unplug the sound bar from the wiring harness on the passenger side



2. Unzip the fabric at the top of each B -Pillar



3. Use a 13 mm socket to remove the 4 bolts holding the plate on each corner.

4. If your vehicle is equipped with GPS, you will need to unplug the passenger side plate from the wiring harness. This plug is located at the top of the b-pillar behind the interior trim, as shown.



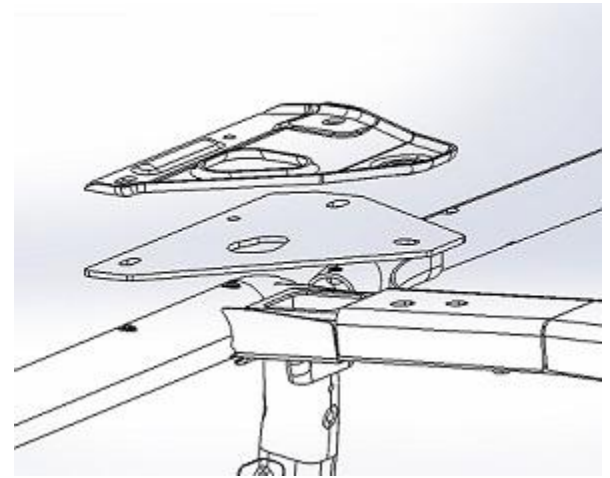
5. If you already have the EVO MFG Chromoly Sport cage installed, remove the 2 bolts from the center of the b-pillar cross bar.

6. Fit the EVO MFG B-Pillar Cross Bar across the factory cross bar as shown.

7. Thread the 2 bolts through the center holes.



8. Fit the EVO MFG B-Pillar Plates on the corners with the factory plates over them, as shown. If equipped, plug the GPS unit back into the wiring harness.



9. Use a 13mm socket to bolt the B-Pillar plates back in place. Use 3 of factory bolts (removed in Step 3) on each side and 1 supplied, longer M8 bolt for the bolt hole closest to the inside, as shown.

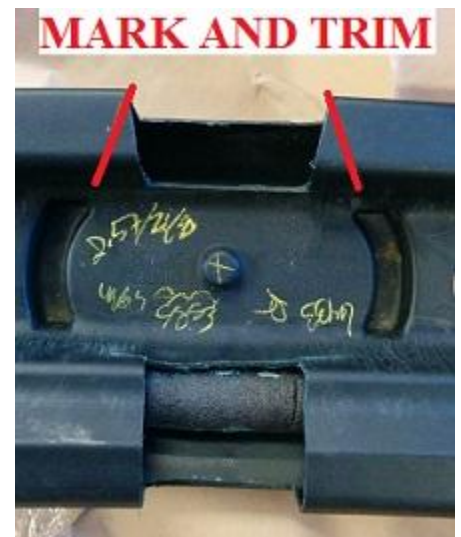


10. With the 4 bolts on each side, and the 2 through the middle tightened, zip the fabric covering back up.

Note: If you have already installed the EVO MFG Chromoly Sport Cage and trimmed your sound bar, a small additional trim to the front will be required. If not, follow the instructions in the EVO MFG Chromoly Sport Cage instructions to trim the sound bar.

Note: When marking and cutting, be careful not to cut too much, you can always cut more off if it is too tight, but you can't put more on.

11. Loosely bolt the sound bar in place and mark where it contacts the B-Pillar Cross Bar to cut.
12. With the sound bar marked, remove it and make your cuts.
13. Reinstall the sound bar and verify that it fits. If not, mark it, remove and trim again.



14. If you have a hardtop, you will need to make a small relief trim for the bolt heads in the center.